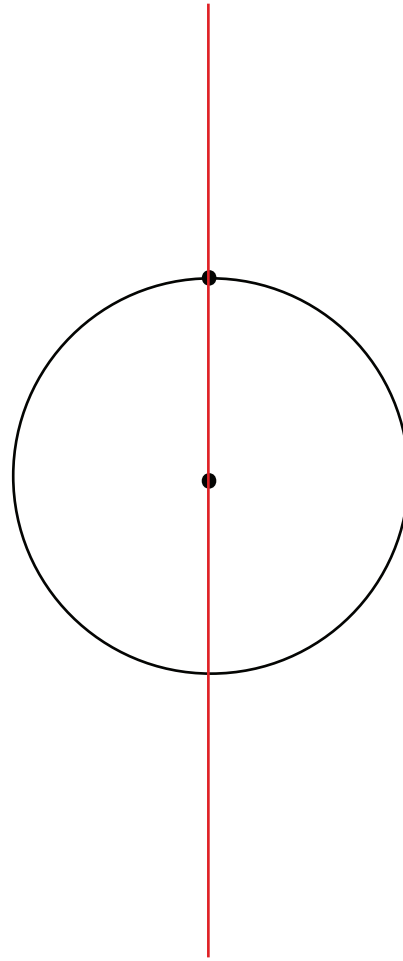


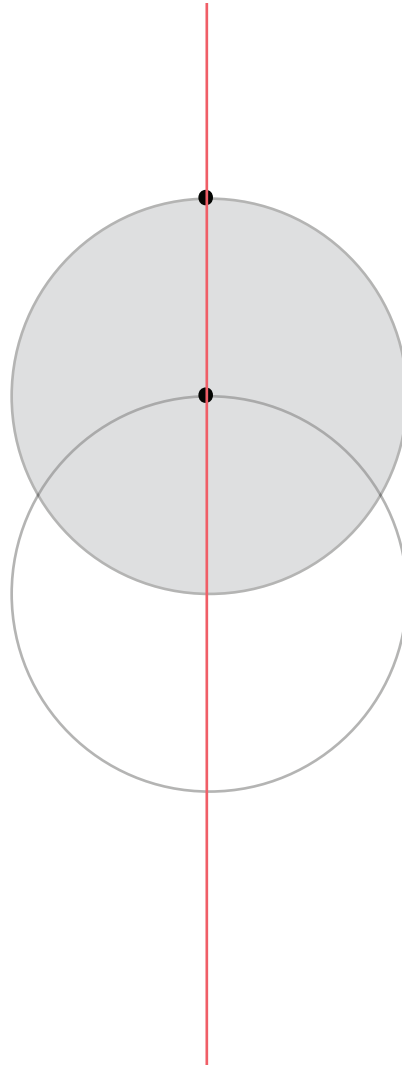
Yantra of the Elements

copyright 2008 © thesecretofom.com



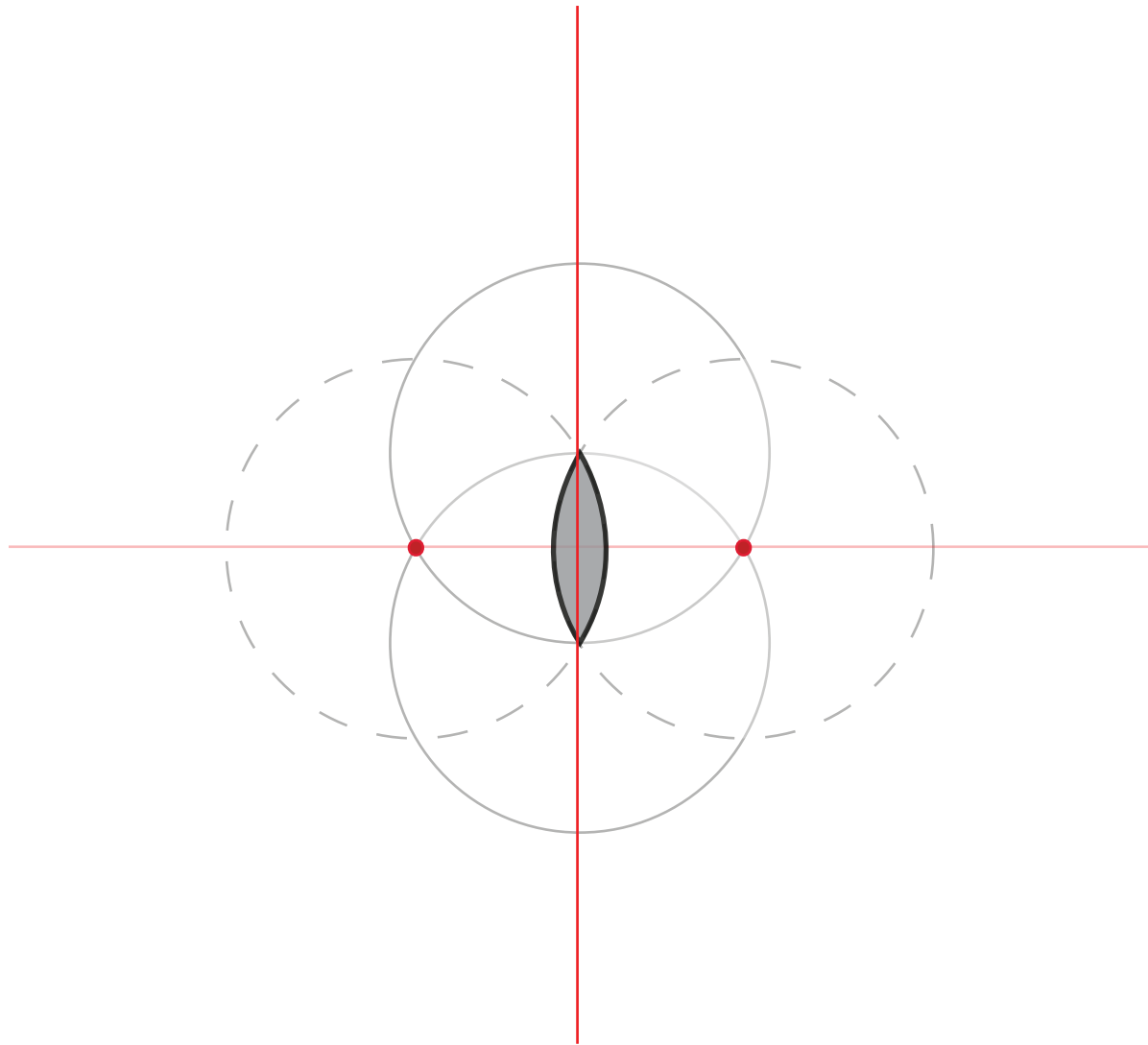
Step #1

In the center of the page construct a straight line and a circle.



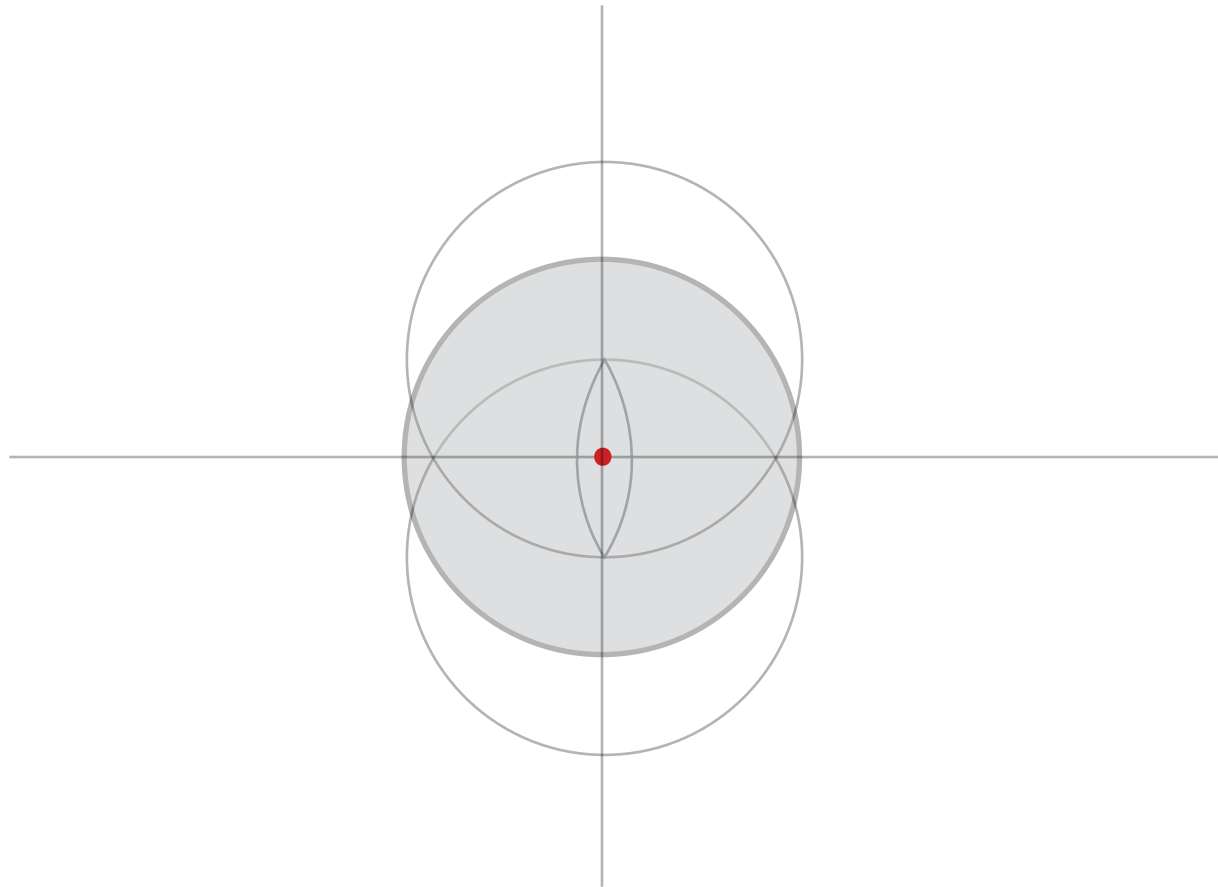
Step #2

On top of the constructed circle draw another circle of the same size as the previous size.



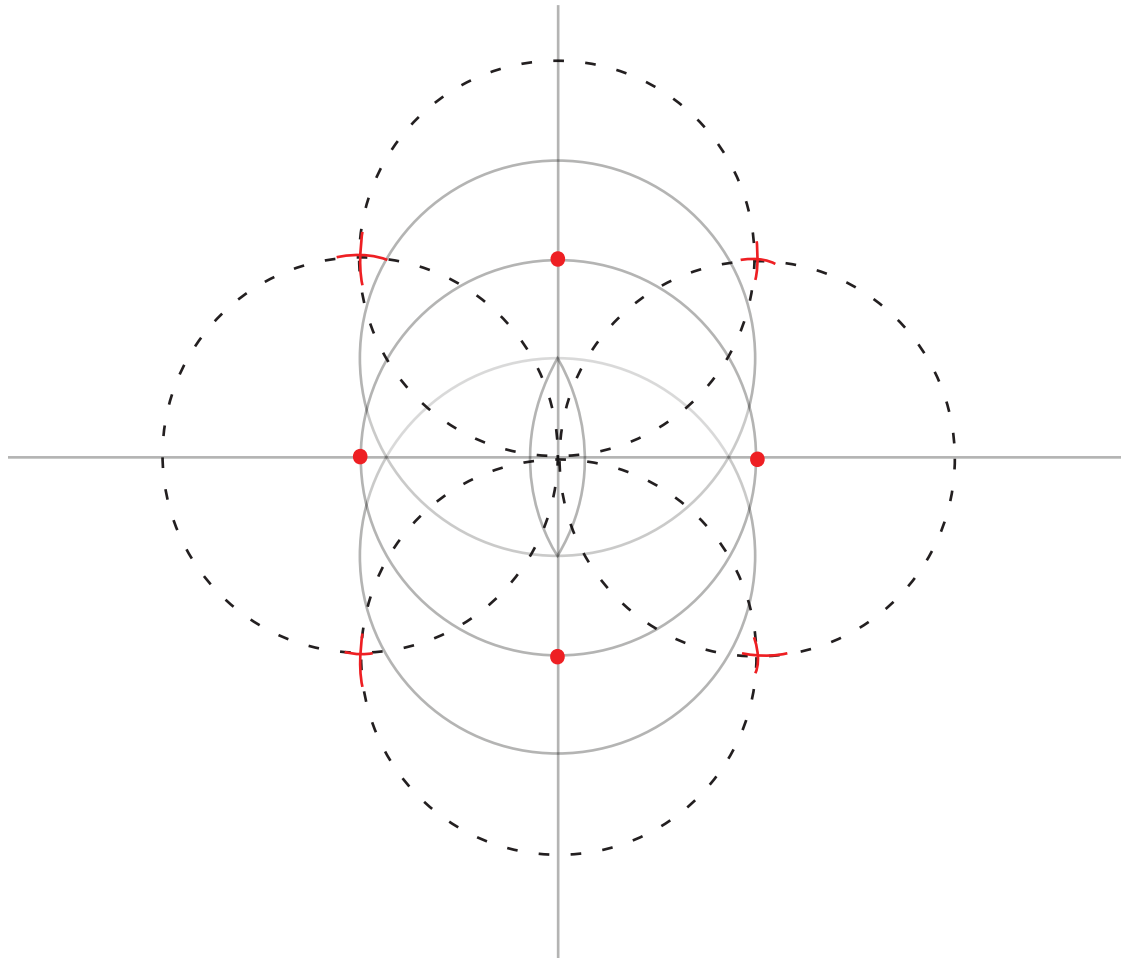
Step #3

Using the same size circle and the points marked construct the eye as seen in the center. Only draw the eye portion as shown above. The dashed lines should not be drawn, they are only shown to assist you in constructing the eye in the center. Also note that these two circles will be slightly smaller than the previously drawn circles.



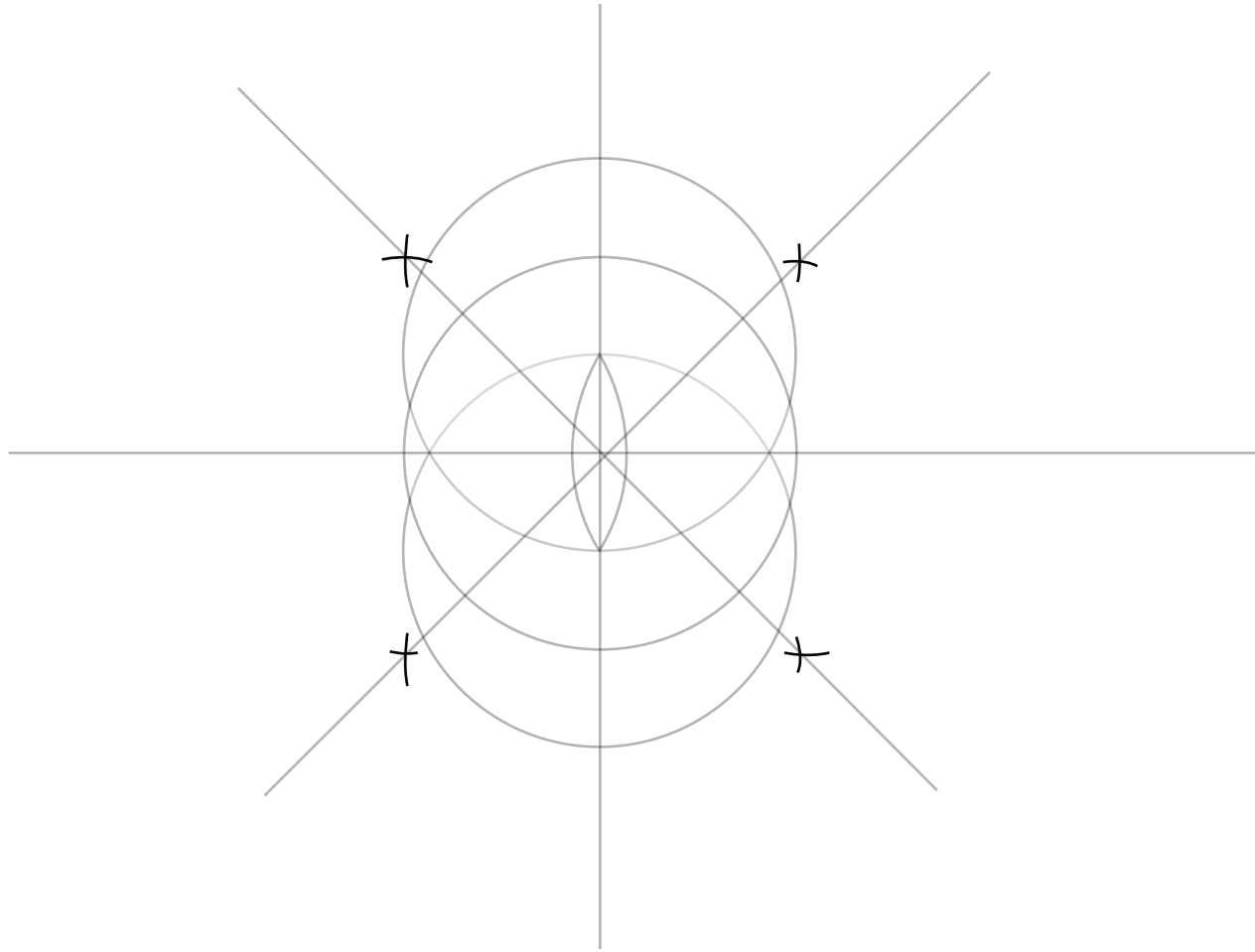
Step #4

Using the original size circle construct a new circle from the center as shown in the drawing above.



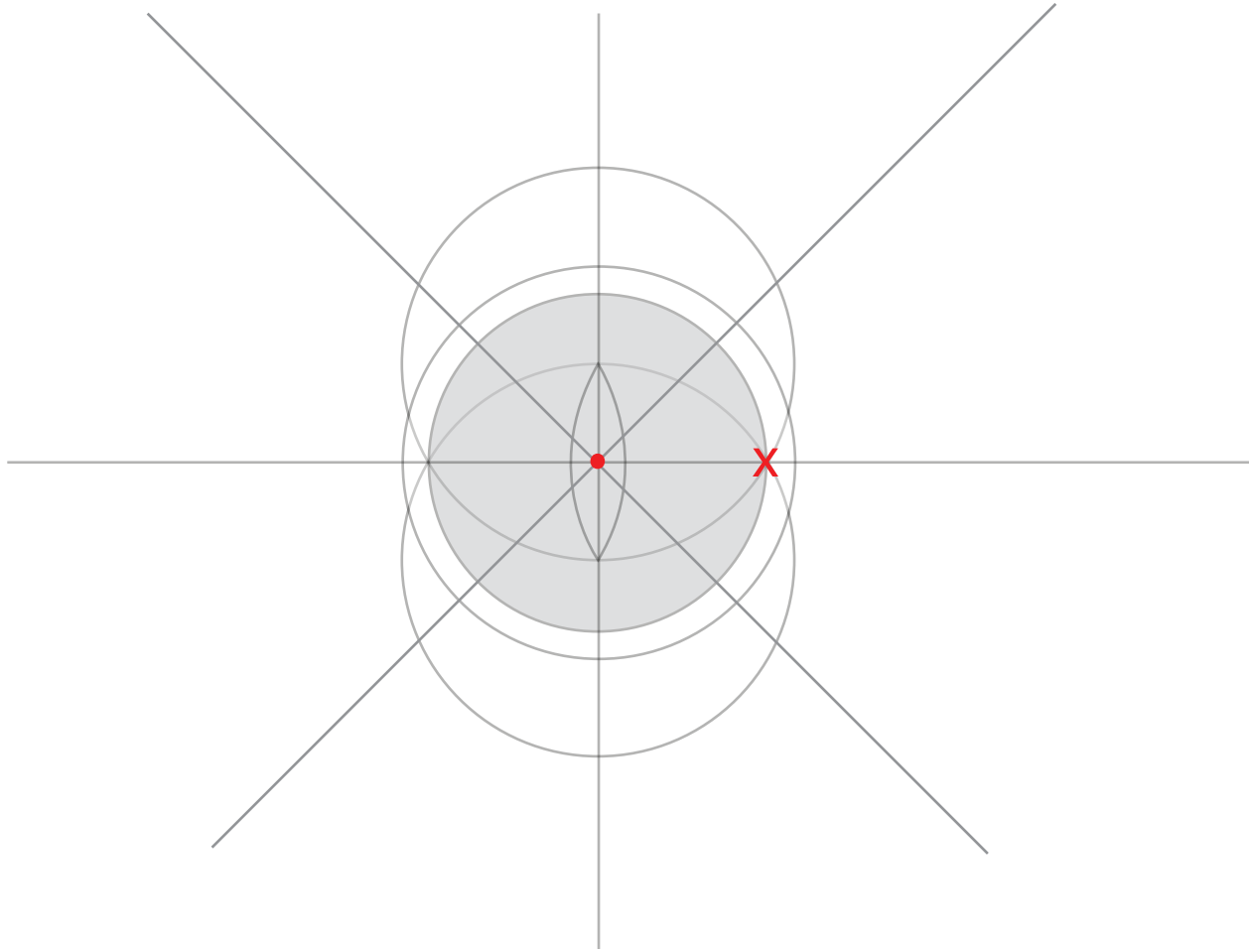
Step #5

Using the original size circle construct four marks using the red dots as compass placement locations. Where the dashed circles intersect make a mark. This combination of marks will create Xs at the four corners of the drawing.



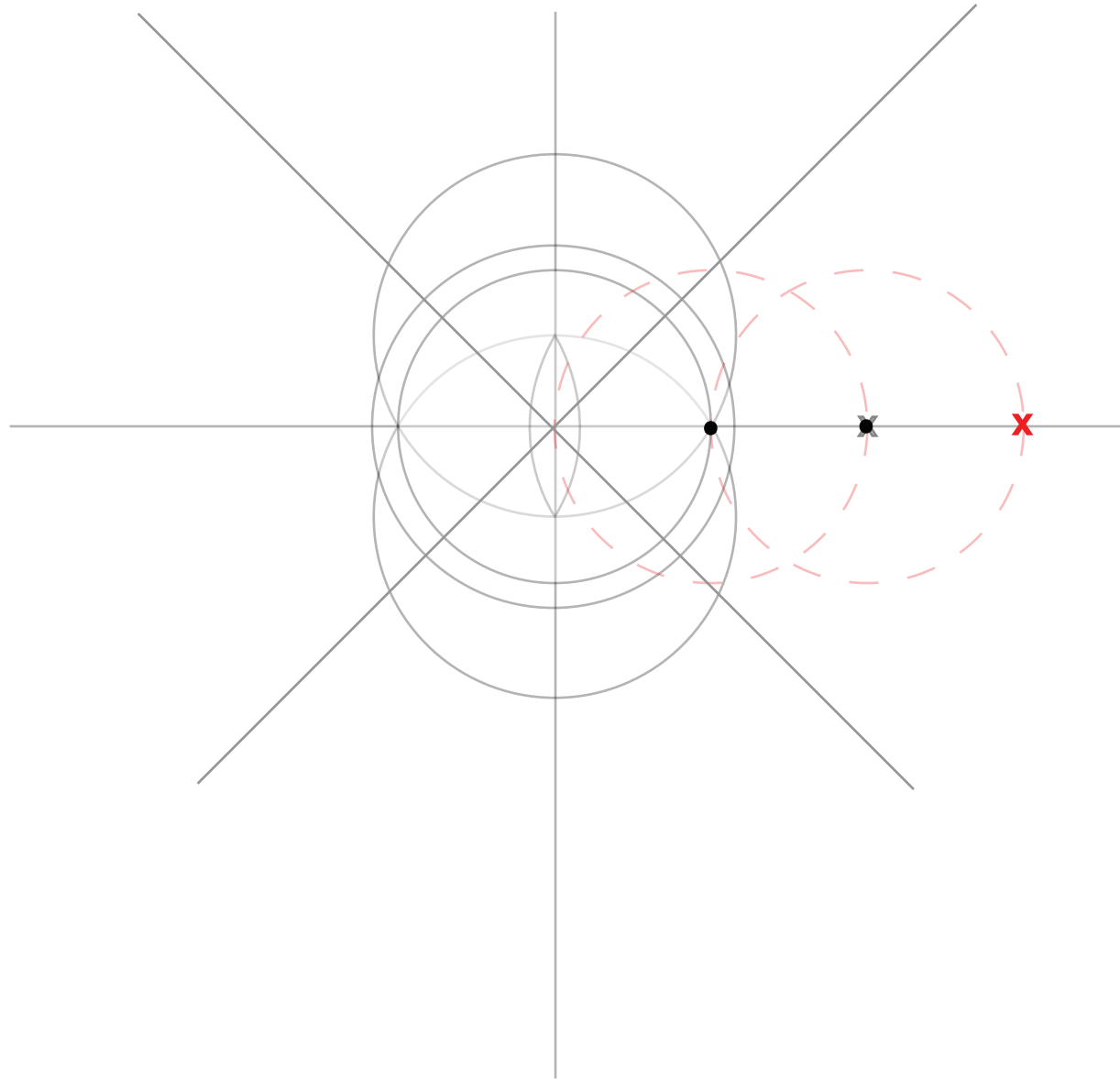
Step #6

Now construct two straight lines through the Xs as indicated in the drawing above.



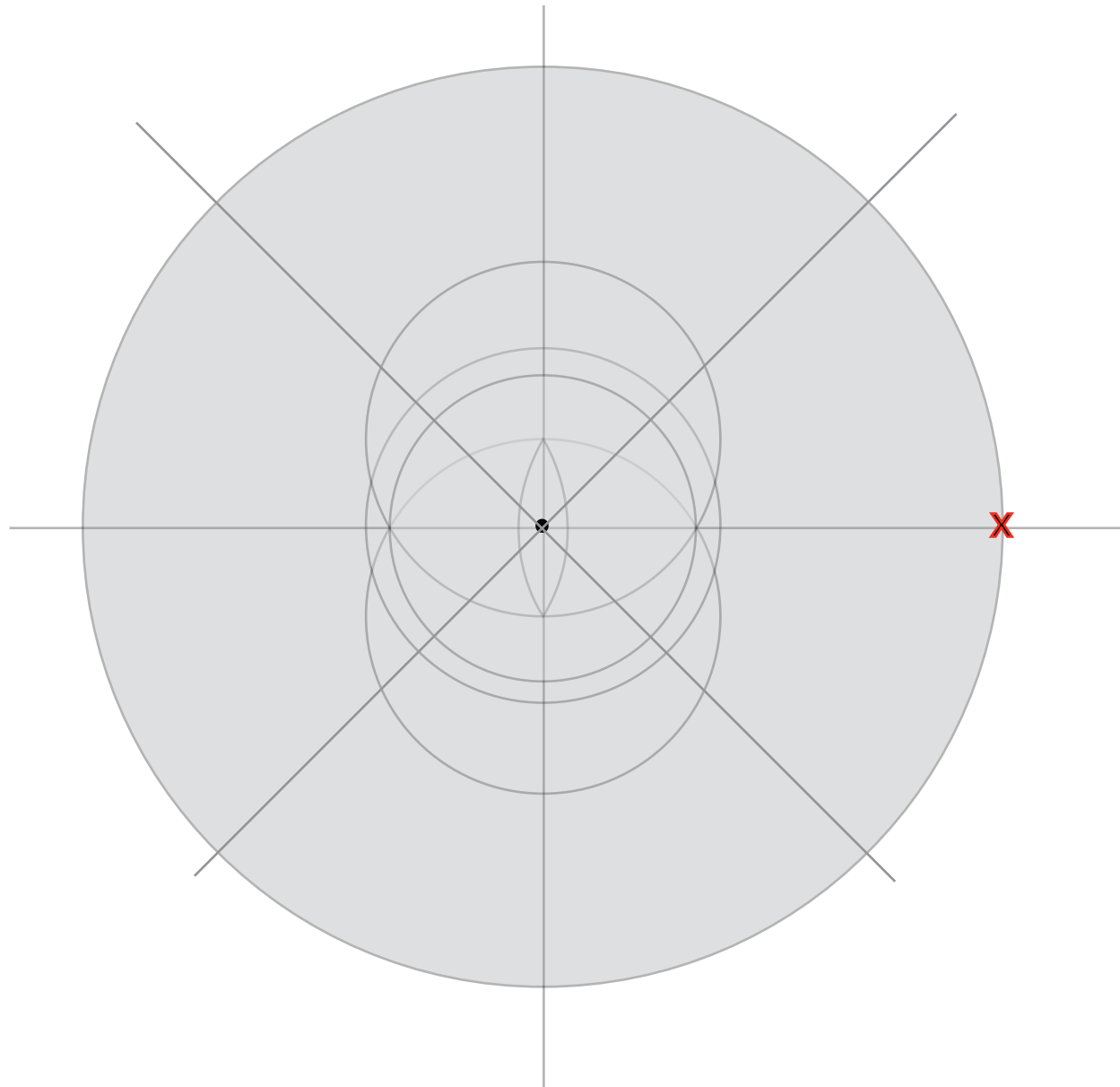
Step #7

Positioning your compass in the center extend it to the location marked by the X and construct the circle shown in the drawing above.



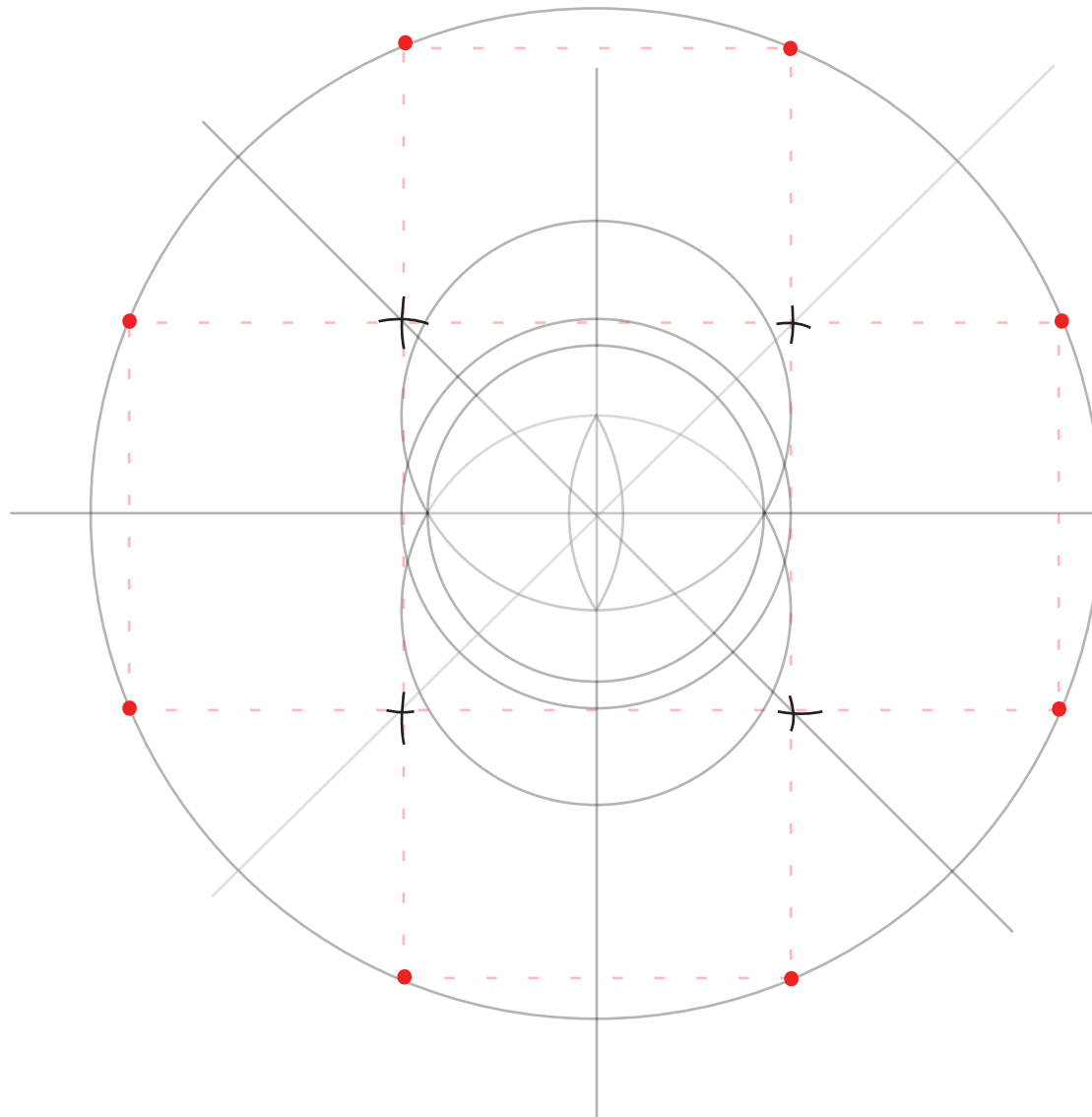
Step #8

Using the dimensions of the previously drawn circle as a measure you will create a measuring point to the red X. First make a mark to the dot X combination shown in black and grey. From this location measure again to get the location of the red X.



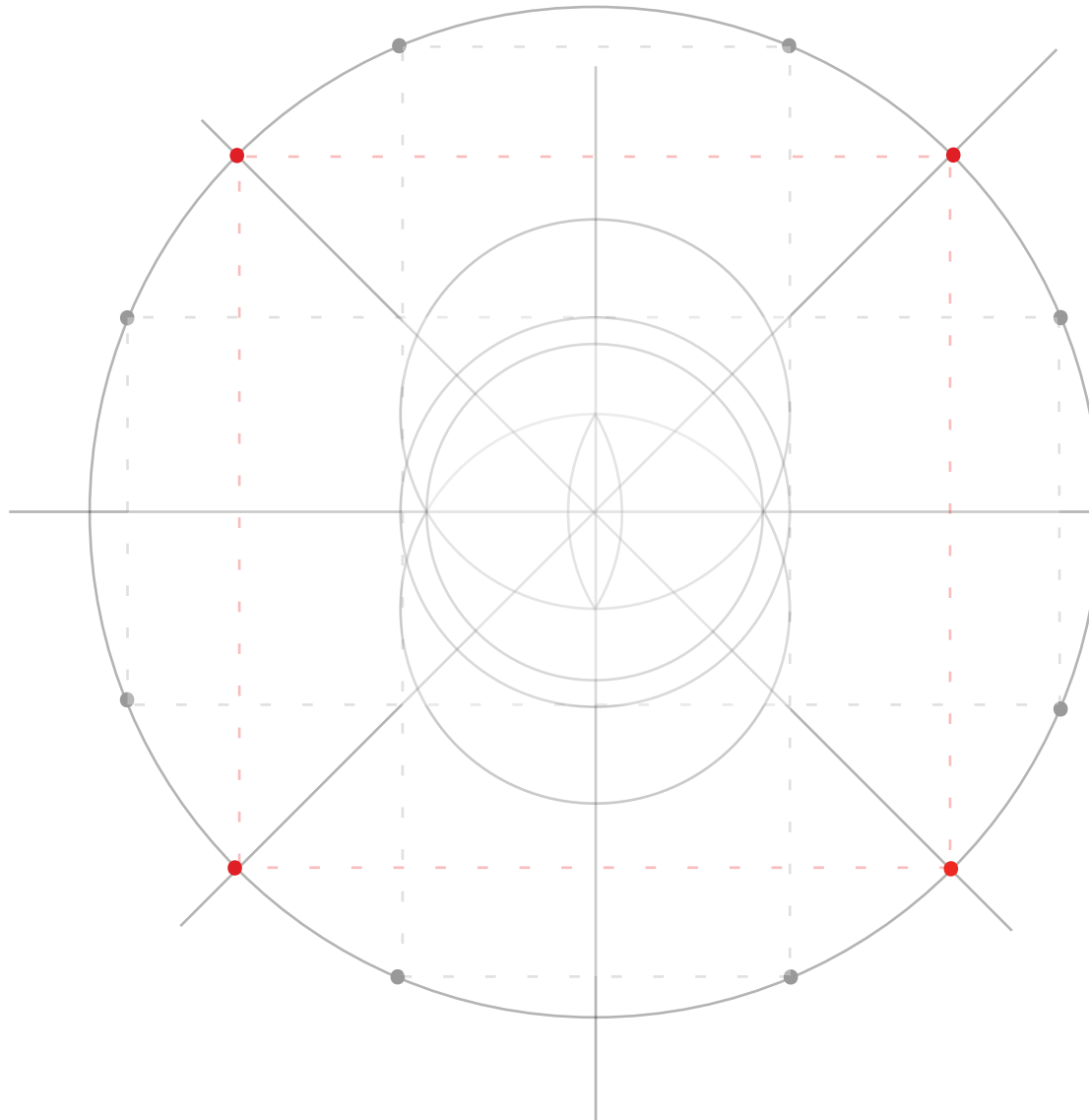
Step #9

Using the red X point from the previous drawing place your compass point in the center and open it to the red X position and construct a circle.



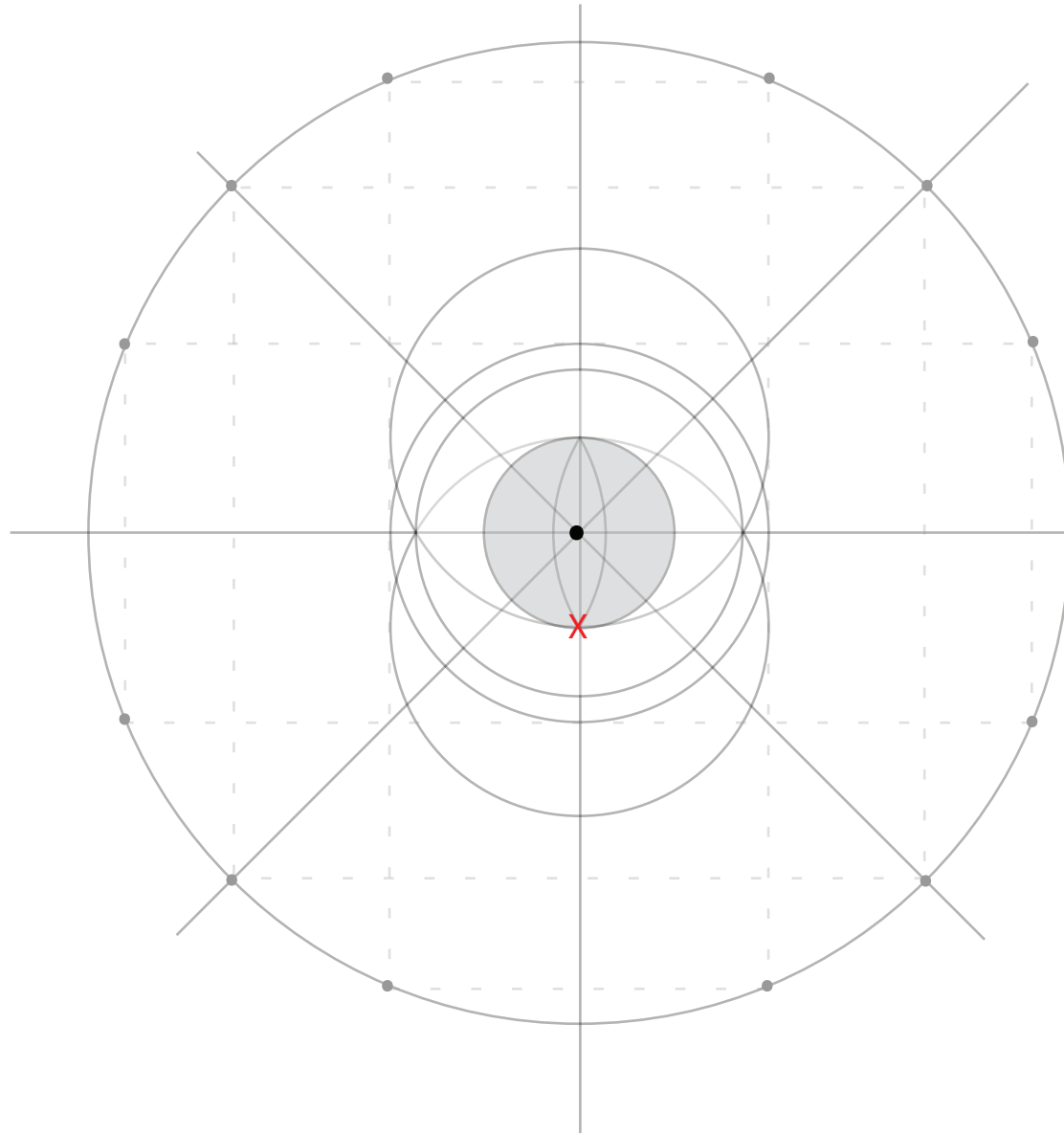
Step #10

You are going to construct two rectangles in this step. The first vertical rectangle is constructed from the edges of the circles drawn in previous drawings. At the ends of the rectangle you will make dots as indicated above. The horizontal rectangle is constructed from the X marks made in the previous Step #5. Mark the places where this rectangle meets the outer circle.



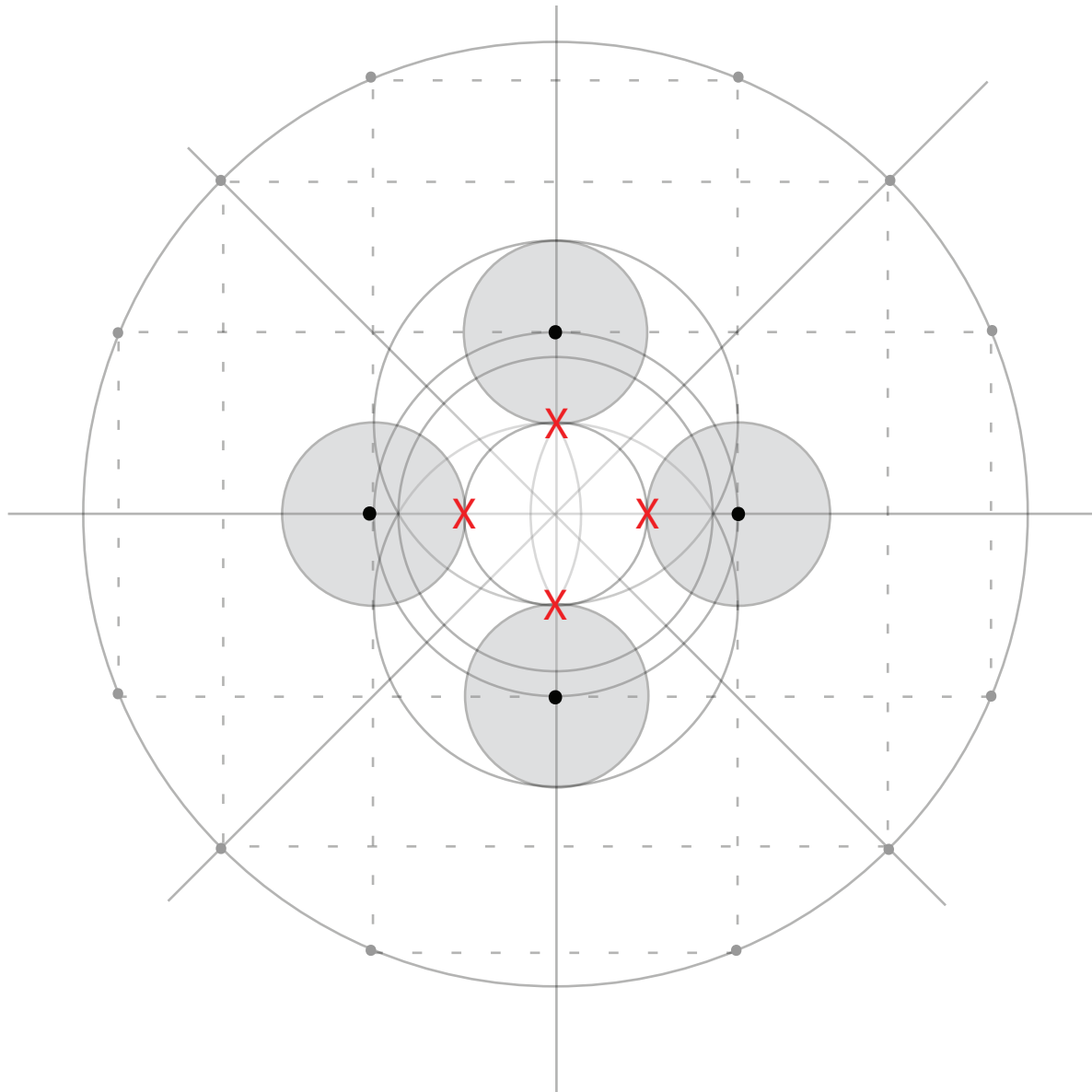
Step #11

Now using the diagonal lines place a mark where they intersect the outer circle.



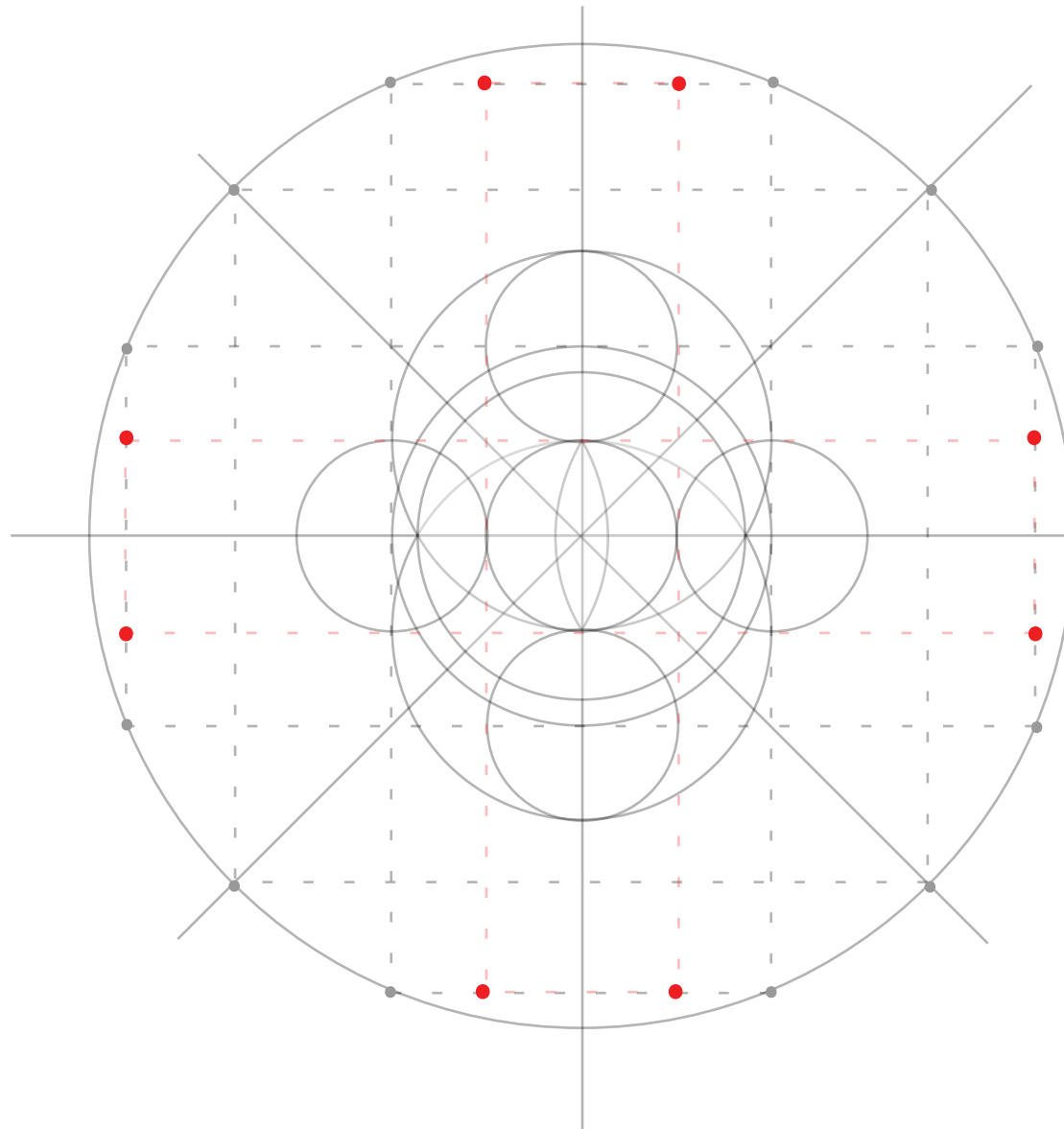
Step #12

Using the dot and the X construct the circle as shown in the drawing above.



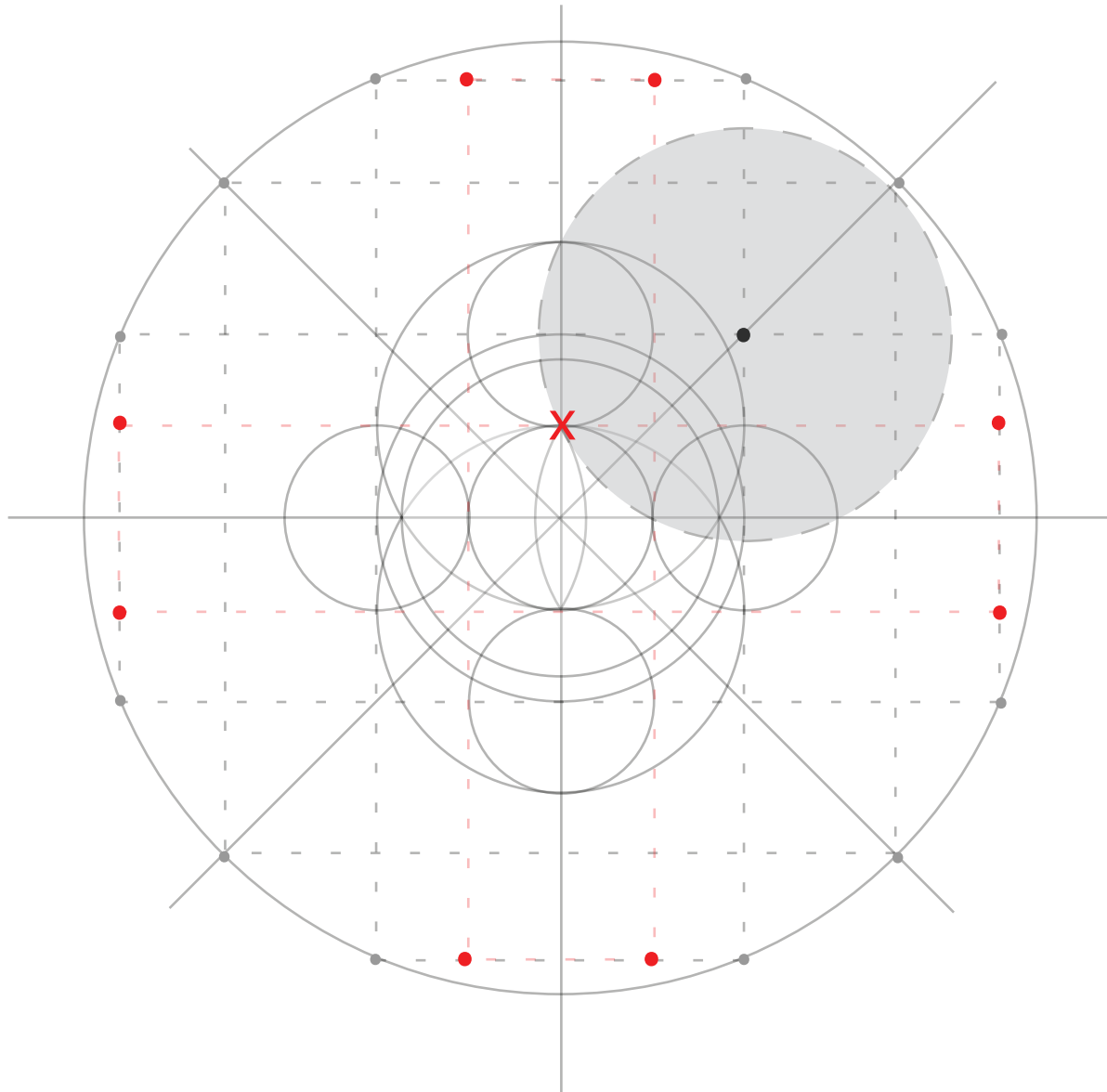
Step #13

Using the dot and the X construct the four circles as indicated in the drawing above.



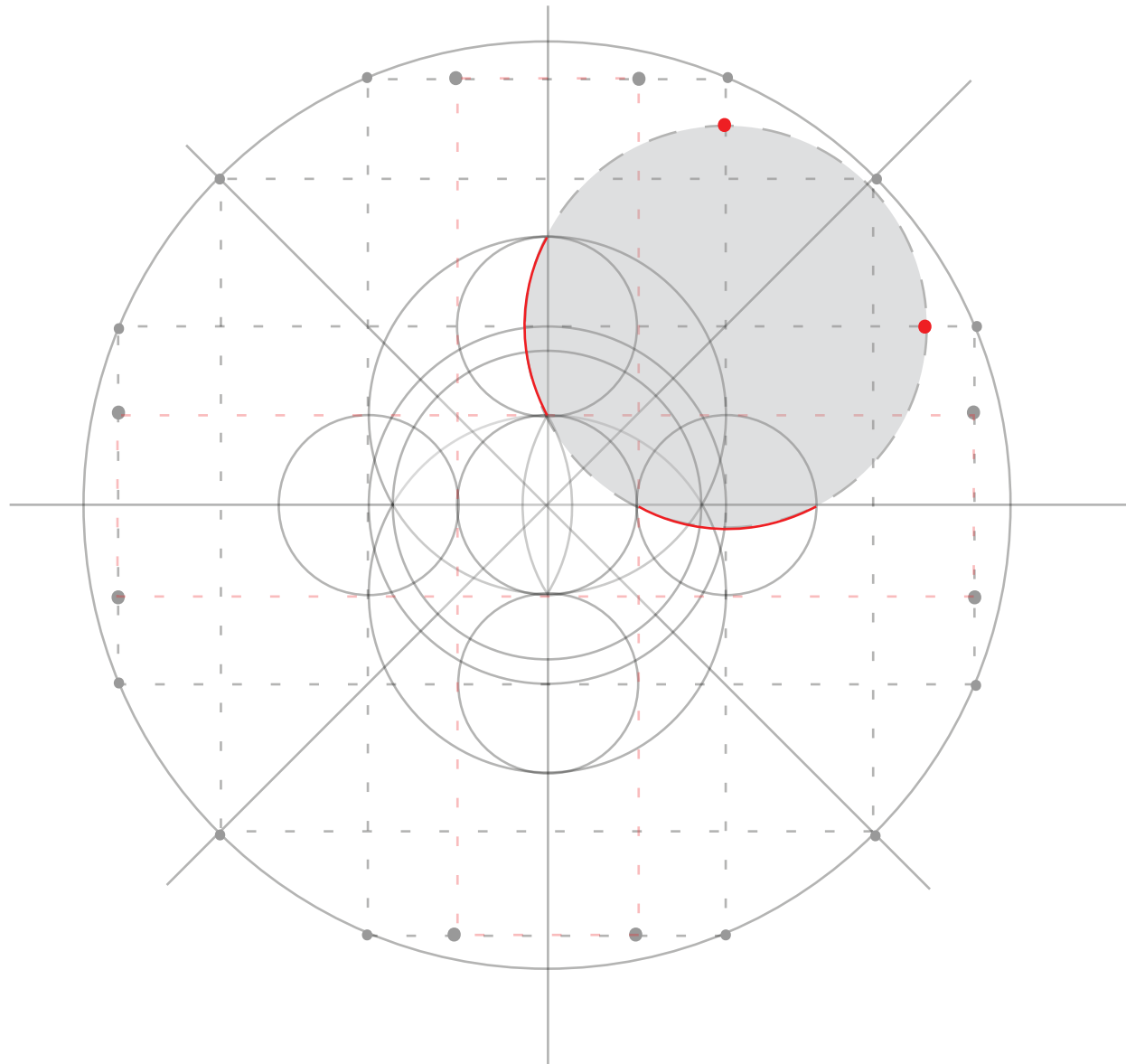
Step #14

Using the four freshly drawn circles construct the rectangles as shown and make the dots as indicated in red color.



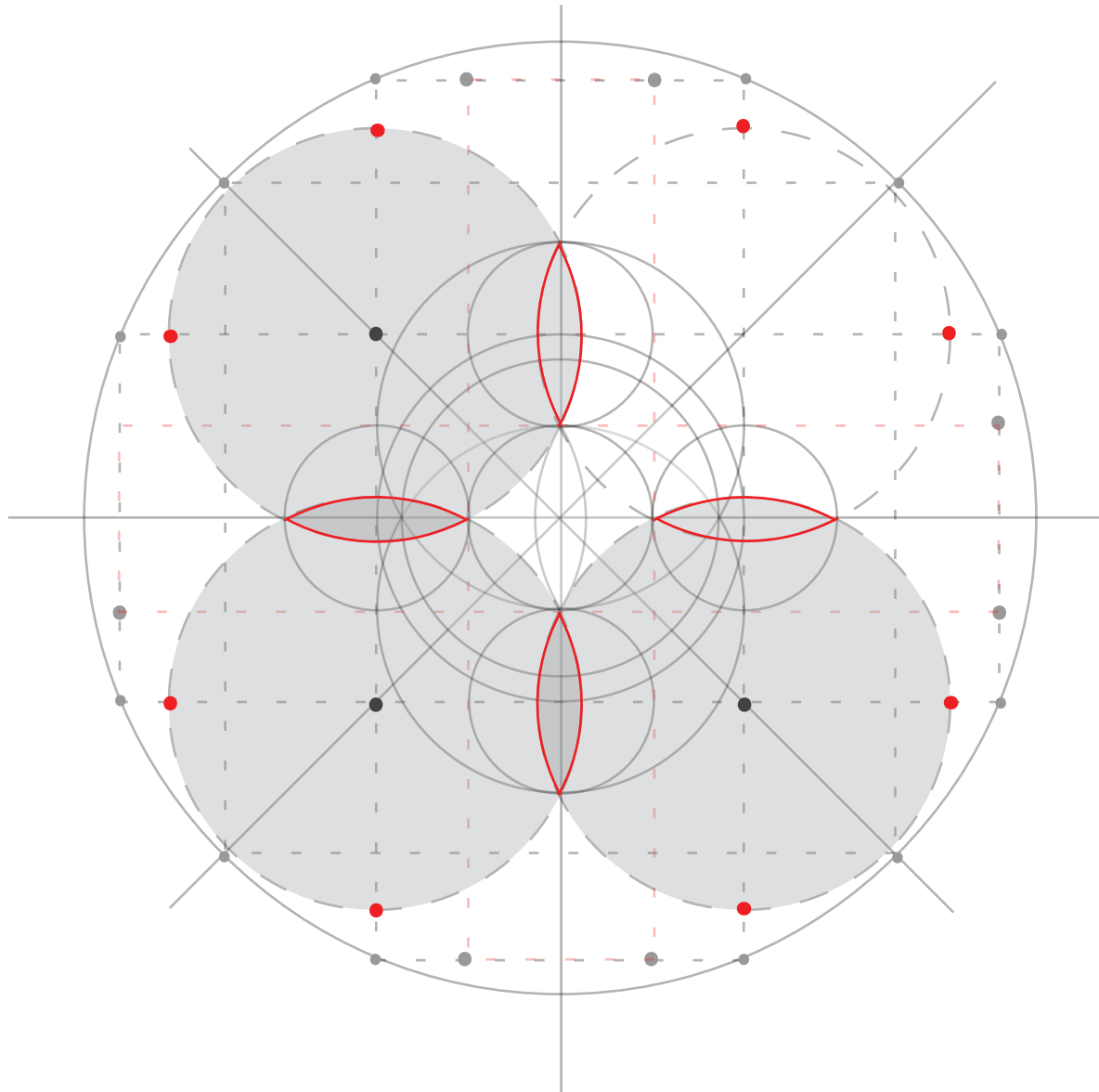
Step #15

Using dot and red X prepare your compass to this dimension.



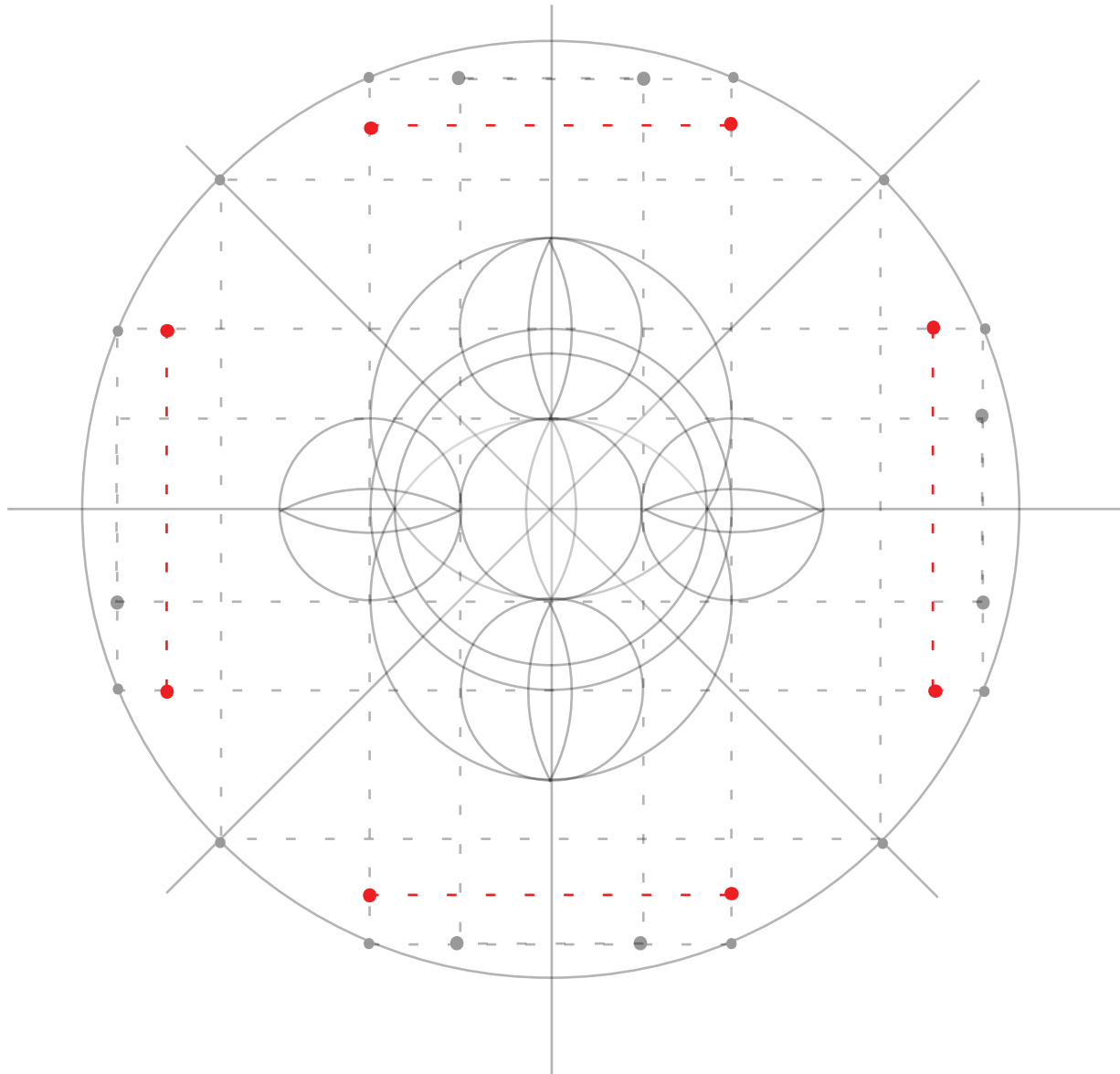
Step #16

Mark the places as indicated. Note the smaller circle where the red line is inside. This should be marked as shown.



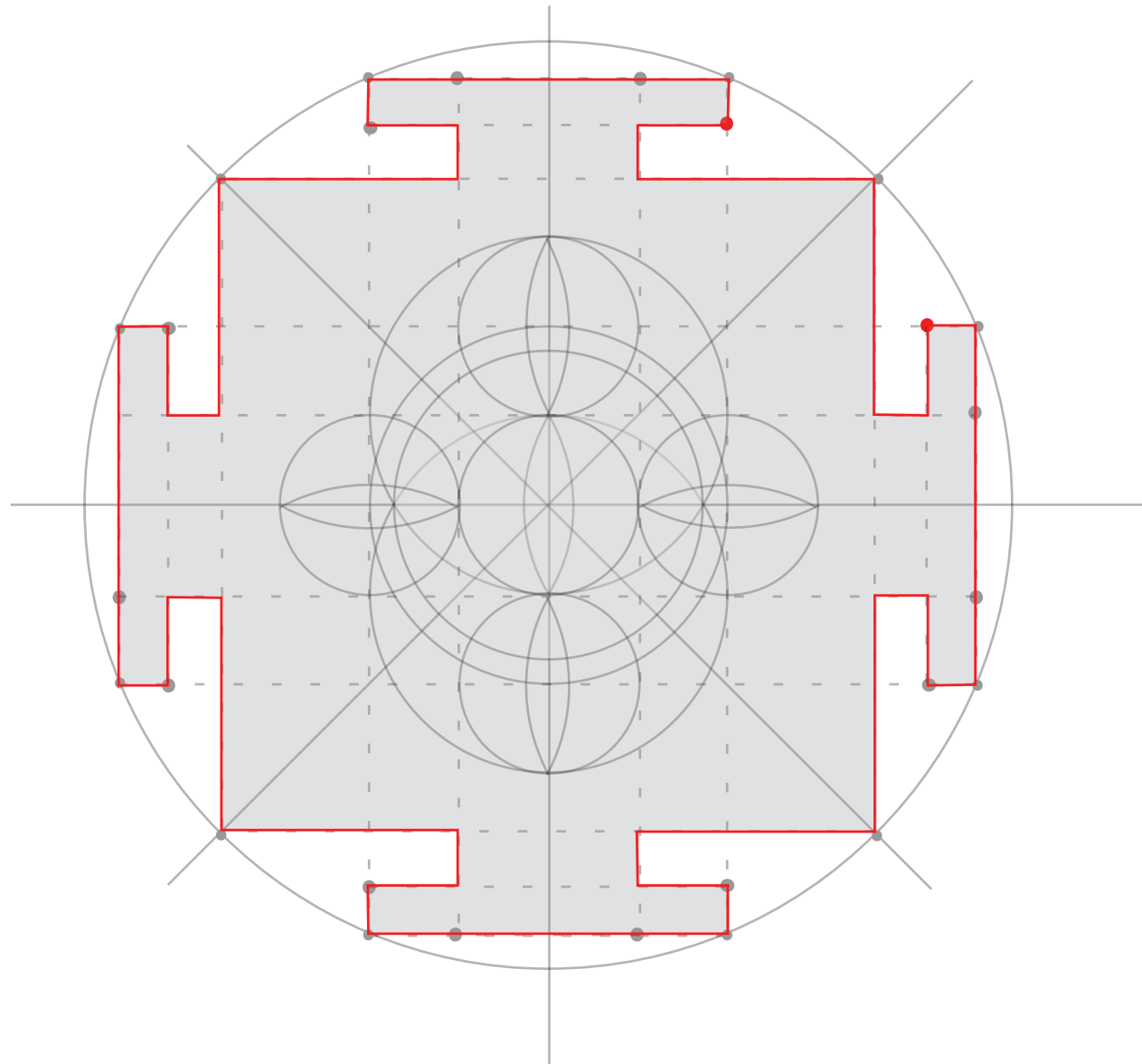
Step #17

Repeat the process on remaining corners as indicated above.



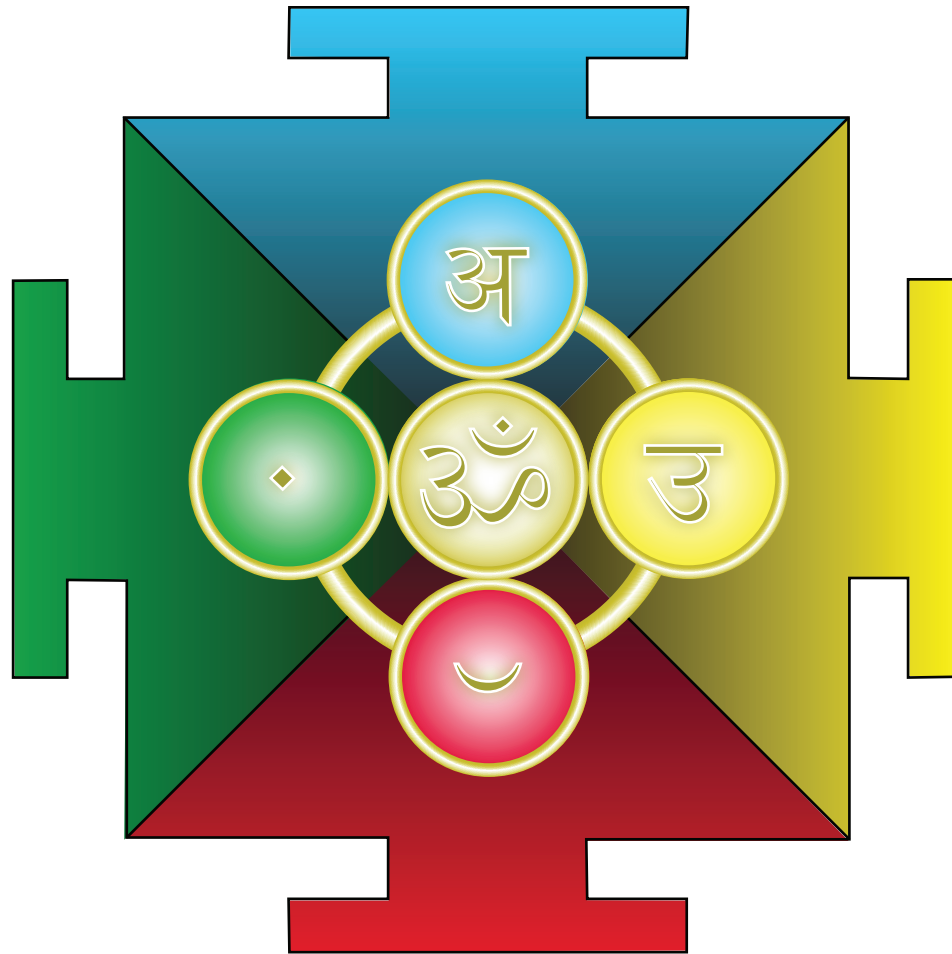
Step #18

Connect the dots made in the previous drawing as shown above.



Step #19

Use the dots and dotted guides to draw the yantra gates as shown above.



Step #20

Congratulations you are now ready to color the directions and spheres. East is typically Blue or White and is orientated towards the top. South is yellow, West is Red and North is Green. The other gates represent the elements, the inner spheres represent sound becoming light. In this case we have used OM and it's four padas. OM and the four pada's in their pure form are the 5 Buddha families.